

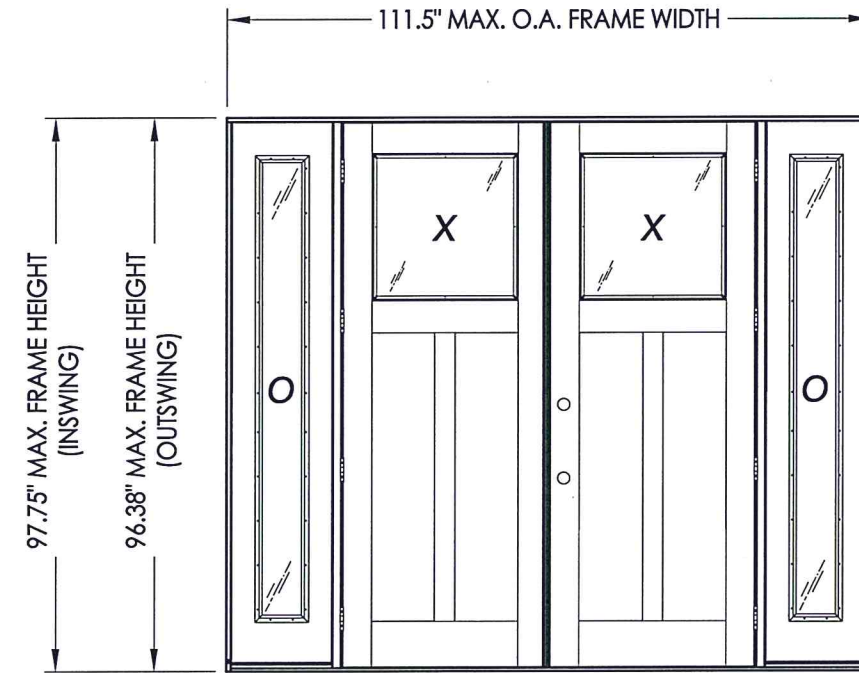
"Lighthouse" GLAZED FIBERGLASS DOUBLE DOOR w/ SIDELITES "NON-IMPACT" INSWING / OUTSWING

GENERAL NOTES

1. This product has been evaluated and is in compliance with the 7th Edition (2020) Florida Building Code (FBC) structural requirements excluding the "High Velocity Hurricane Zone" (HVHZ).
2. Product anchors shall be as listed and spaced as shown on details. Anchor embedment to base material shall be beyond wall dressing or stucco.
3. When used in areas requiring wind borne debris protection, this product is required to be protected with an impact resistant covering that complies with FBC Sections 1609.1.2 & R301.2.1.2.
4. For 2x stud framing construction, anchoring of these units shall be the same as that shown for 2x buck masonry construction.
5. Site conditions that deviate from the details of this drawing require further engineering analysis by a licensed engineer or registered architect.

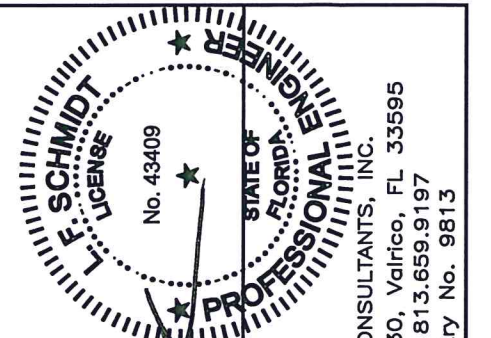
TABLE OF CONTENTS

| SHEET# | DESCRIPTION |
|--------|--|
| 1 | Typical elevations, design pressures & general notes |
| 2 | Door panel details |
| 3 | Sidelite panel details (Lip Lite Frame) |
| 4 | Sidelite panel details (Flush Glazing Frame) |
| 5 | Elevations |
| 6 | Horizontal and vertical cross sections (2x buck) |
| 7 | Horizontal and vertical cross sections (1x buck) |
| 8 | Horizontal and vertical cross sections (Direct to Masonry) |
| 9 | Horizontal cross sections |
| 10 | Vertical cross sections |
| 11 | Buck anchoring |
| 12 | Frame anchoring |
| 13 | Components |
| 14 | Bill of materials |



Continuous Head and Sill

| CONFIGURATION | FRAME MATERIAL | DESIGN PRESSURE (PSF) INSWING | | DESIGN PRESSURE (PSF) OUTSWING | |
|---------------|----------------|----------------------------------|----------|-----------------------------------|----------|
| | | POSITIVE | NEGATIVE | POSITIVE | NEGATIVE |
| OXXO | FJ PINE | +45.0 | -45.0 | +45.0 | -45.0 |
| OXXO | COMPOSITE | +45.0 | -45.0 | +45.0 | -45.0 |



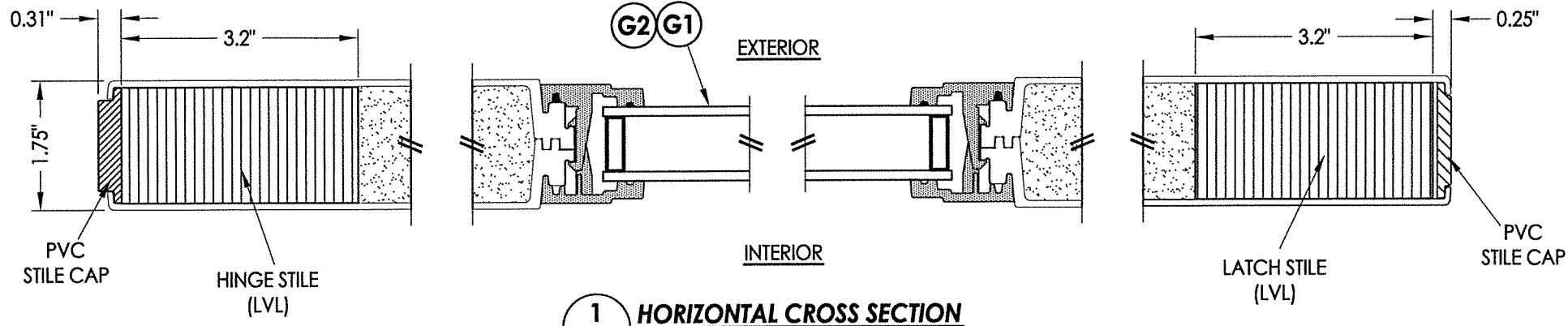
March 28, 2021

Documents Prepared By:
Lyndon F. Schmidt
P.E., No. 43409

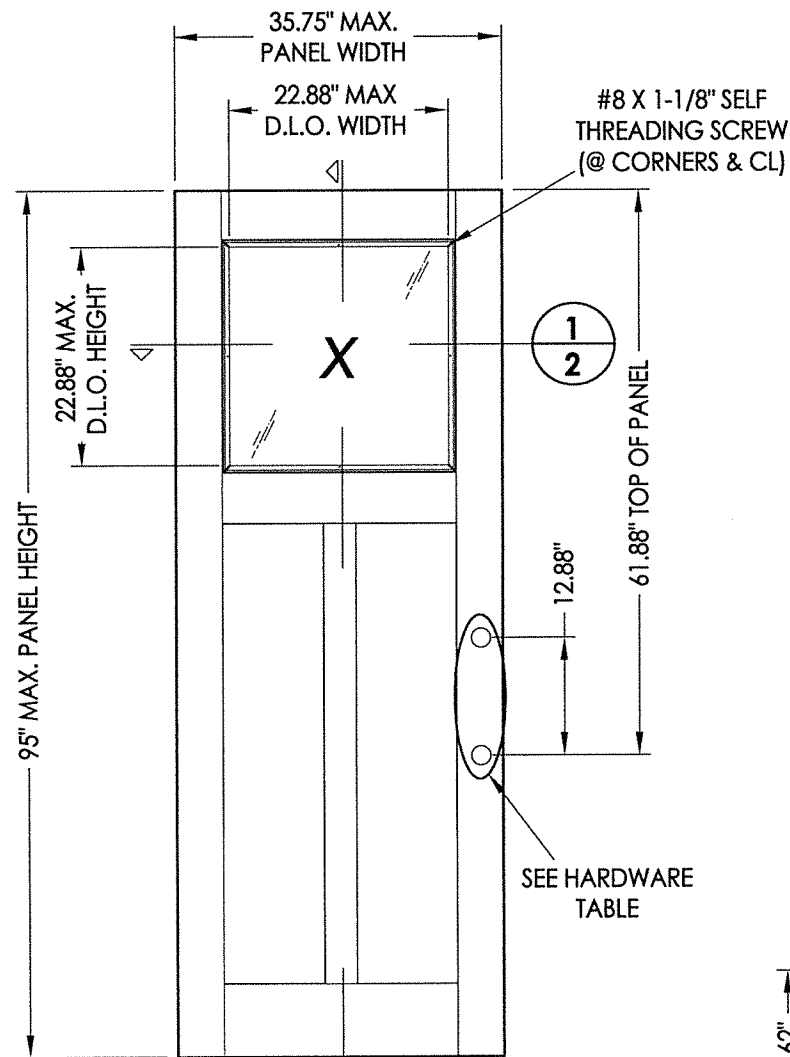
RW
BUILDING CONSULTANTS, INC.
P.O. Box 230, Valrico, FL 33595
Phone No.: 813.659.9197
FBPE Registry No. 9813

| | |
|-------------------|---|
| PRODUCT: | TRINITY GLASS INT'L |
| PART OR ASSEMBLY: | TYPICAL ELEVATION, DESIGN PRESSURES & GENERAL NOTES |
| DATE: | 1/28/20 |
| SCALE: | N.T.S. |
| DWG. BY: | TRJ |
| CHK. BY: | LFS |
| DRAWING NO.: | FL-25575.6 |
| SHEET | 1 OF 14 |

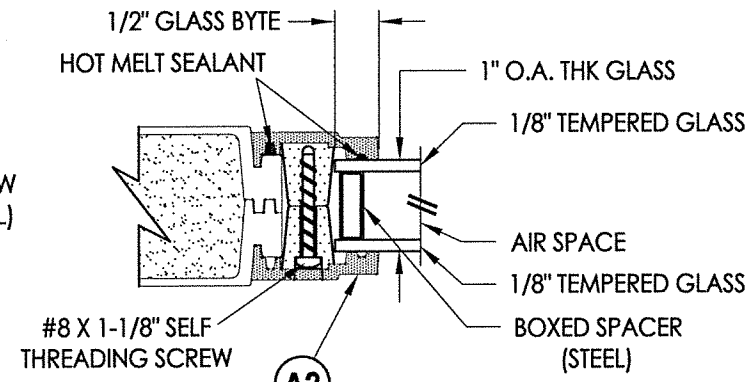
Z:\Clients\Trinity Glass PERMANENT\VA - Florida Product Approvals\FL - 25575\C - Drawings\FL 25575 (2020)\FL-25575.5-6.dwg



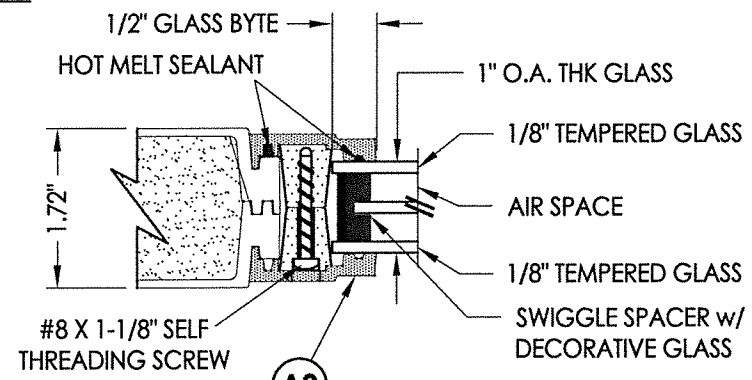
1
2 **HORIZONTAL CROSS SECTION**



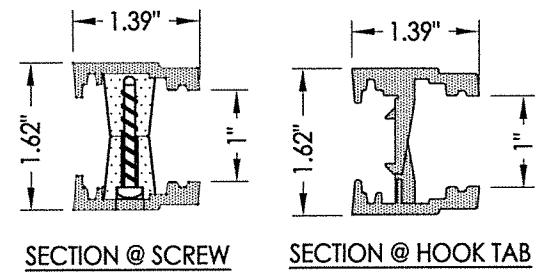
40 **GLAZED DOOR PANEL**
LIGHTHOUSE



G1 **GLAZING DETAIL**

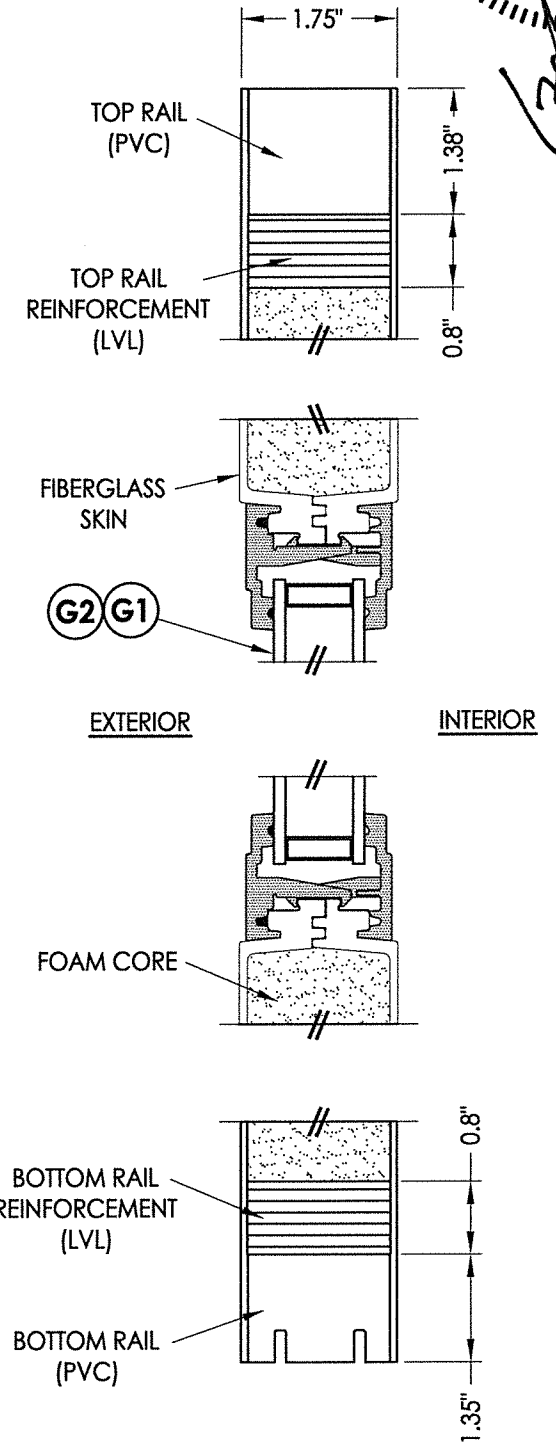


G2 **GLAZING DETAIL**
DECORATIVE GLASS

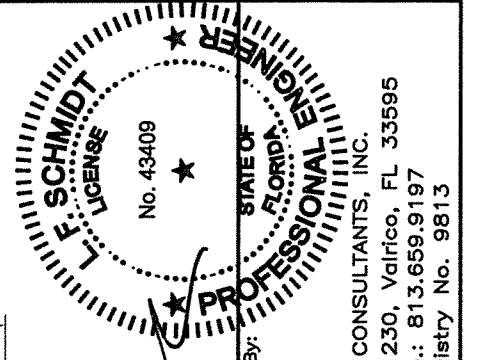


A2 **FLUSH GLAZING FRAME**
FIBERGLASS

| HARDWARE CHART | |
|----------------|----------------------------------|
| MANUFACTURER | MODEL |
| KWIKSET | KNOB: SIGNATURE SERIES |
| | DEADBOLT: SIGNATURE SERIES (980) |
| SCHLAGE | KNOB: F SERIES |
| | DEADBOLT: B60 SERIES |



2
2 **VERTICAL CROSS SECTION**

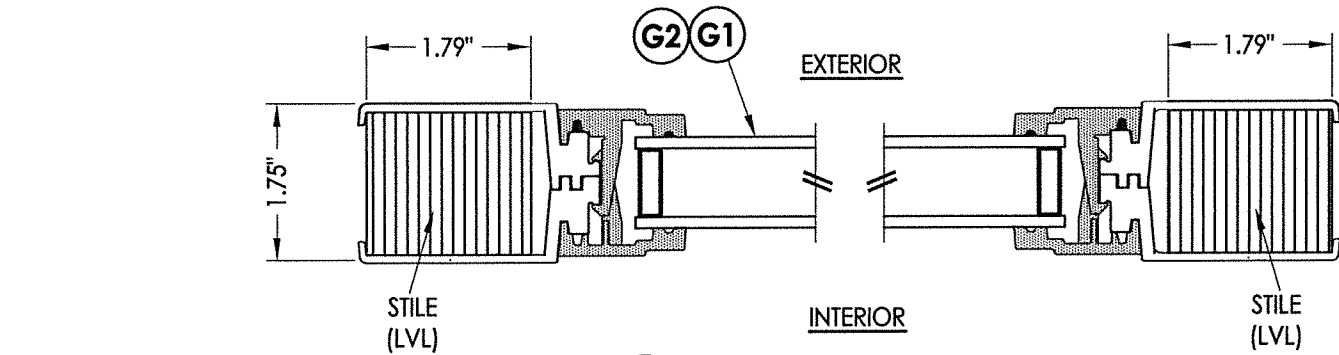


March 28, 2021
 Documents Prepared By:
 Lyndon F. Schmidt
 P.E. No. 43409
 R.W. BUILDING CONSULTANTS, INC.
 P.O. Box 230, Valrico, FL 33595
 Phone No.: 813.659.9197
 FBPE Registry No. 9813

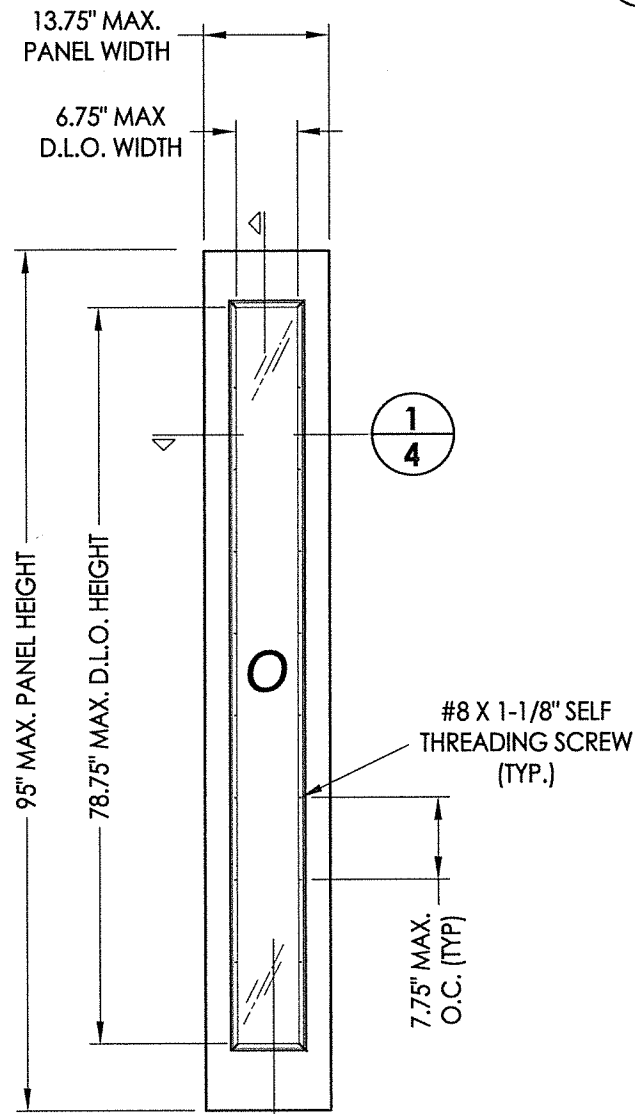
| | |
|-------------------|---------------------|
| PRODUCT: | TRINITY GLASS INT'L |
| PART OR ASSEMBLY: | DOOR PANEL DETAILS |
| DATE: | 1/28/20 |
| SCALE: | N.T.S. |
| DWG. BY: | TRJ |
| CHK. BY: | LFS |
| DRAWING NO.: | FL-25575.6 |
| SHEET | 2 OF 14 |

© 2020 R.W. BUILDING CONSULTANTS INC.

Z:\Clients\Trinity Glass PERMANENTVA - Florida Product Approvals\FL - 25575\C. Drawings\FL 25575 (2020)\FL-25575.5-6.dwg

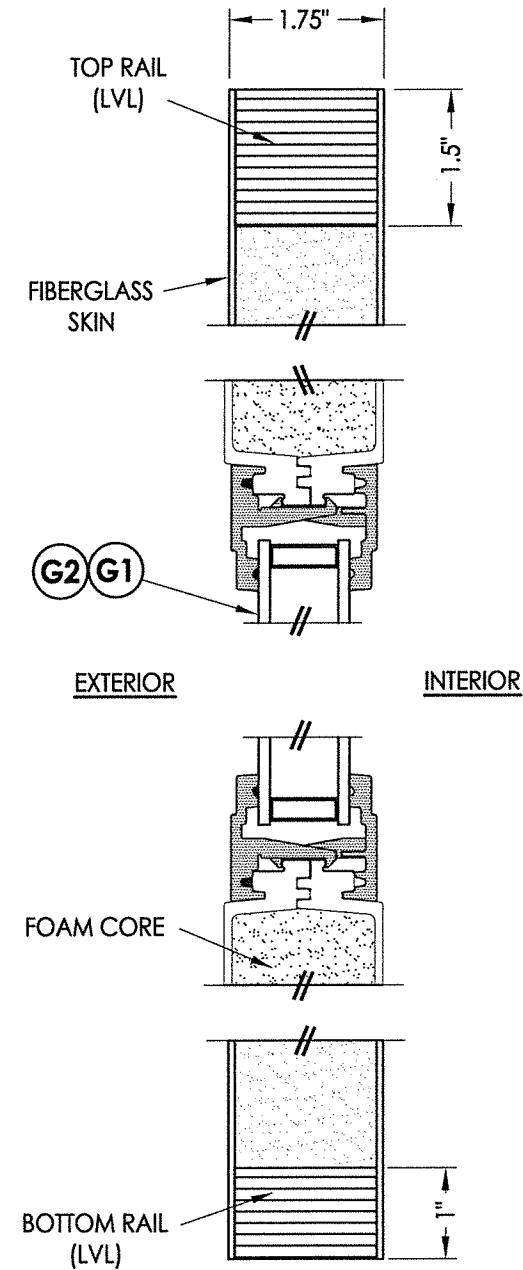


1
4 HORIZONTAL CROSS SECTION

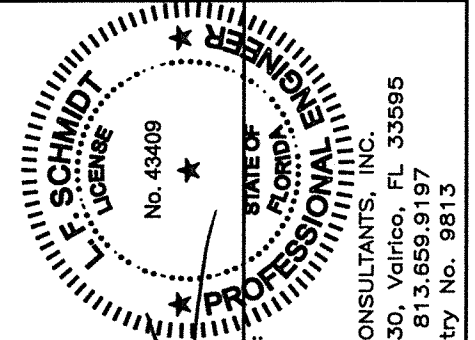


2
4 SIDELITE PANEL
LIGHTHOUSE

DOOR SKIN: 0.079" MIN. THK. FIBERGLASS
CORE MATERIAL: POLYURETHANE FOAM



2
4 VERTICAL CROSS SECTION



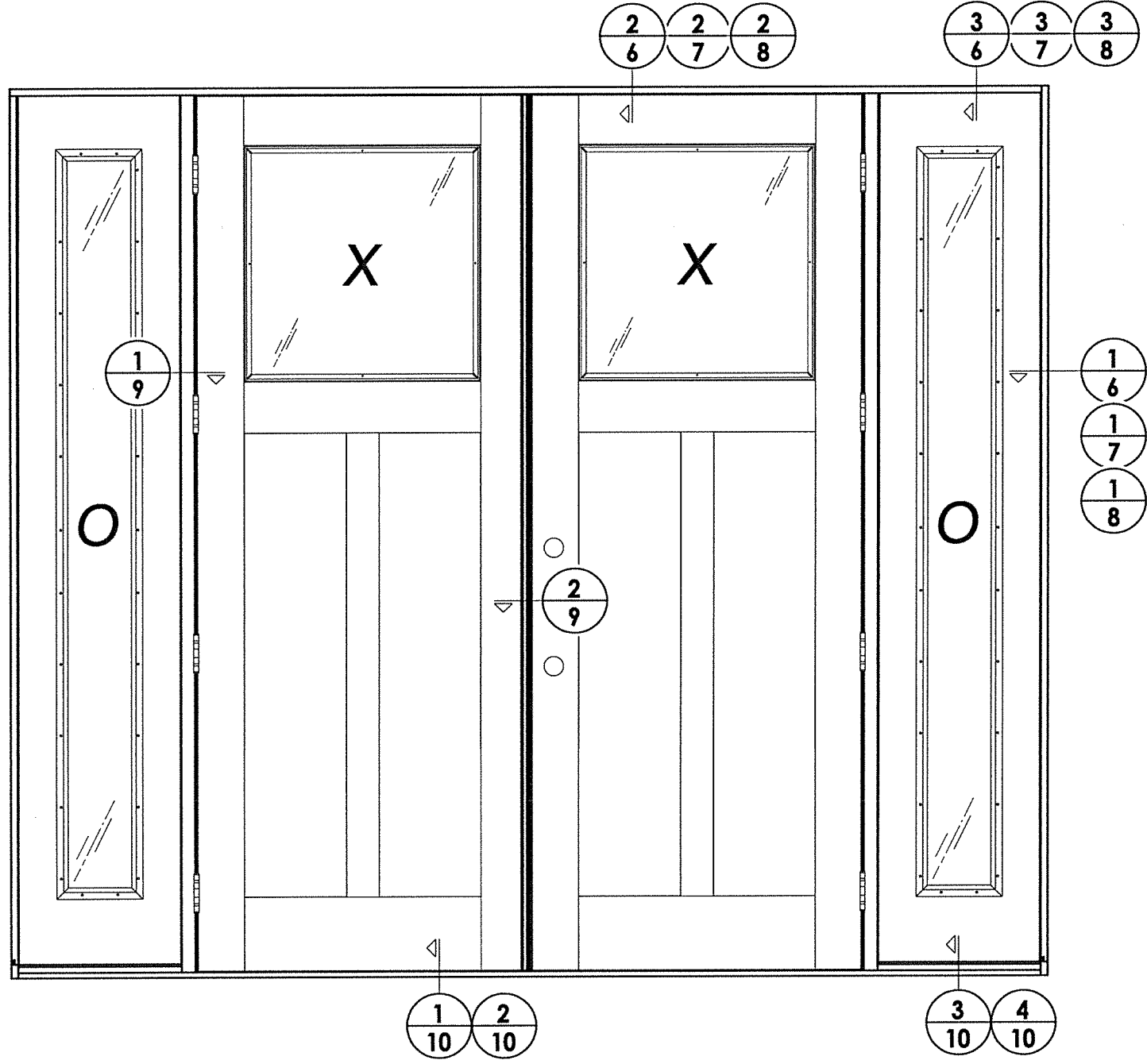
March 28, 2021
Lyndon F. Schmidt
P.E. No. 43409

Documents Prepared By:
Lyndon F. Schmidt
P.E. No. 43409

RW BUILDING CONSULTANTS, INC.
P.O. Box 230, Vairico, FL 33595
Phone No.: 813.659.9197
FBPE Registry No. 9813

| | | |
|--|--|-----|
| PRODUCT: | TRINITY GLASS INT'L | |
| PART OR ASSEMBLY: | SIDELITE PANEL DETAILS (FLUSH GLAZING FRAME) | |
| NO. | DATE | BY |
| 1 | 8/11/20 | DAC |
| UPDATE TO 7th ED. (2020) FBC & REVISE ENDURA ULT. ASTRAGAL | | |
| REVISIONS | | |

| | |
|--------------|------------|
| DATE: | 1/28/20 |
| SCALE: | N.T.S. |
| DWG. BY: | TRJ |
| CHK. BY: | LFS |
| DRAWING NO.: | FL-25575.6 |
| SHEET | 4 OF 14 |



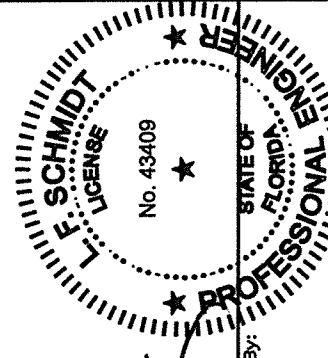
DATE: 1/28/20
 SCALE: N.T.S.
 DWG. BY: TRJ
 CHK. BY: LFS
 DRAWING NO.: FL-25575.6
 SHEET 5 of 14

| REVISIONS | |
|--|---------|
| NO. | DATE |
| 1 | 8/11/20 |
| UPDATE TO 7th ED. (2020) FBC & REVISE ENDURA ULT. ASTRAGAL | |
| DAC | BY |
| | |

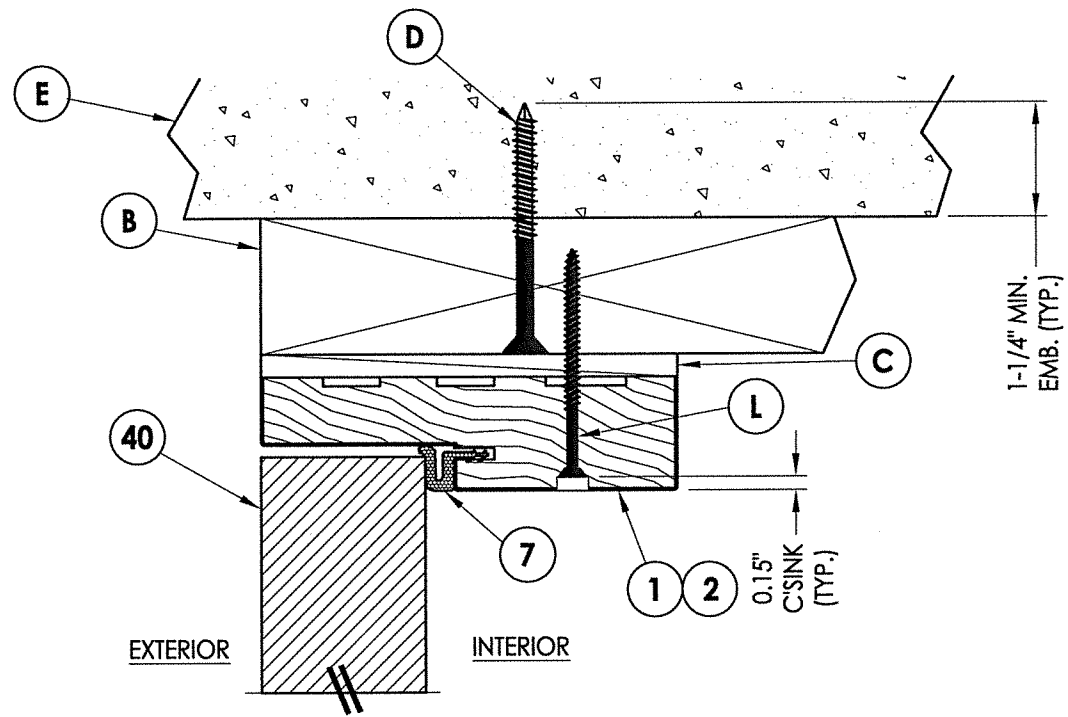
PRODUCT: TRINITY GLASS INT'L
 PART OR ASSEMBLY: ELEVATIONS

Documents Prepared By:
 Lyndon F. Schmidt
 P.E. No. 43409

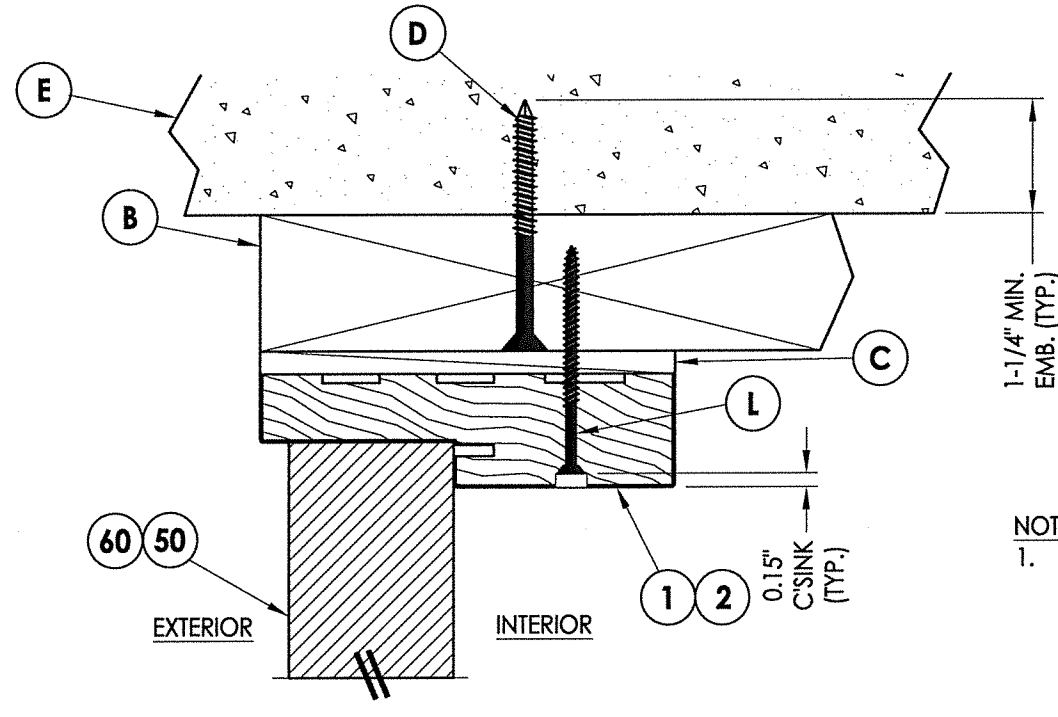
March 28, 2021



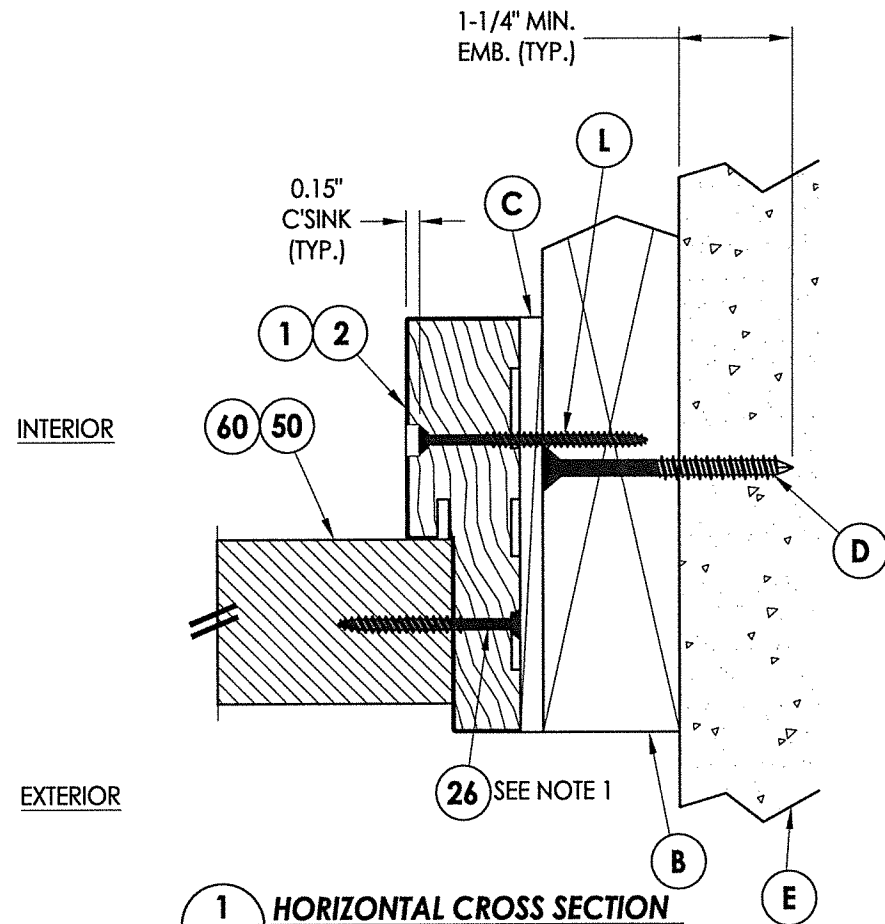
RW
 BUILDING CONSULTANTS, INC.
 P.O. Box 230, Vairico, FL 33595
 Phone No.: 813.659.9197
 FBPE Registry No. 9813



2 VERTICAL CROSS SECTION
 6 Outswing shown - Inswing also approved

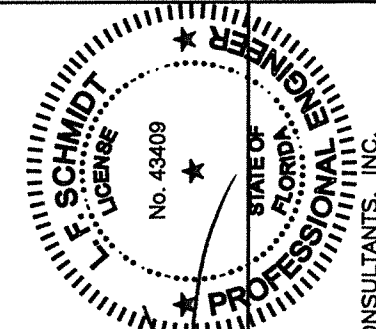


3 VERTICAL CROSS SECTION
 6 Outswing shown - Inswing also approved



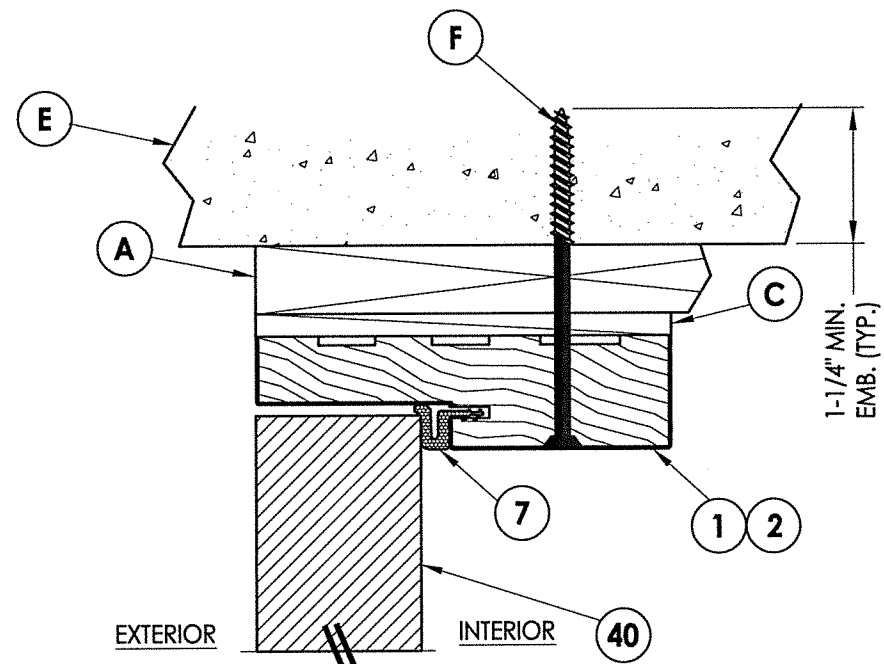
1 HORIZONTAL CROSS SECTION
 6 Outswing shown - Inswing also approved

NOTE:
 1. Item #26 located 6" from each end plus 2 more equally spaced (4 total).

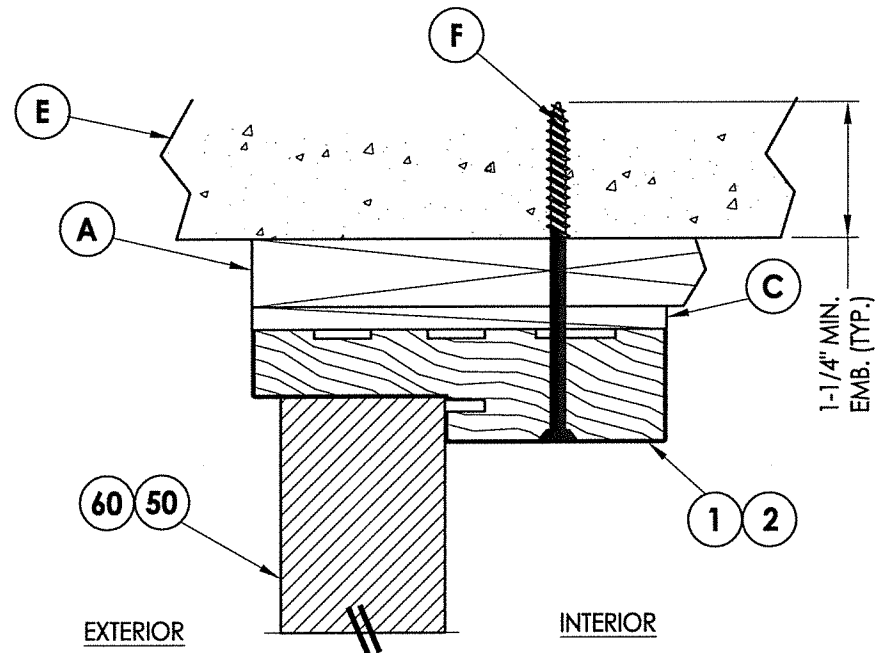


March 28, 2021
 Documents Prepared By:
 Lyndon F. Schmidt
 P.E. No. 43409
 R.W. BUILDING CONSULTANTS, INC.
 P.O. Box 230, Valrico, FL 33595
 Phone No.: 813.659.9197
 FBPE Registry No. 9813

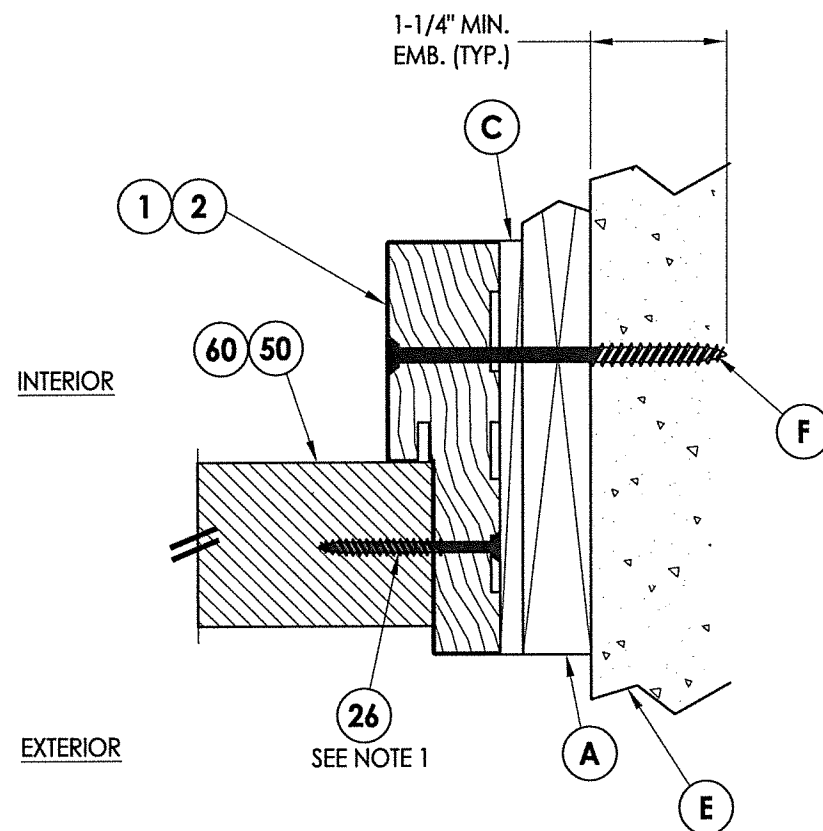
| | | | |
|------------------------------|---------|--|--|
| PRODUCT: TRINITY GLASS INT'L | | PART OR ASSEMBLY: HORIZONTAL AND VERTICAL CROSS SECTIONS (2X BUCK) | |
| NO. | DATE | BY | REVISIONS |
| 1 | 8/11/20 | DAC | UPDATE TO 7th ED. (2020) FBC & REVISE ENDURA ULT. ASTRAGAL |
| DATE: 1/28/20 | | SCALE: N.T.S. | |
| DWG. BY: TRJ | | CHK. BY: LFS | |
| DRAWING NO.: FL-25575.6 | | SHEET 6 OF 14 | |



2 VERTICAL CROSS SECTION
7 Outswing shown - Inswing also approved



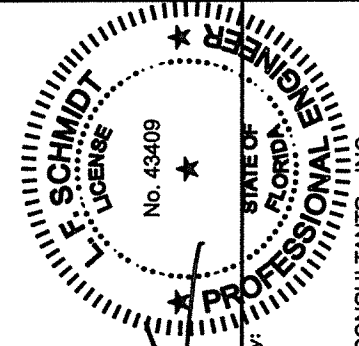
3 VERTICAL CROSS SECTION
7 Outswing shown - Inswing also approved



1 HORIZONTAL CROSS SECTION
7 Outswing shown - Inswing also approved

NOTE:

- Item #26 located 6" from each end plus 2 more equally spaced (4 total).

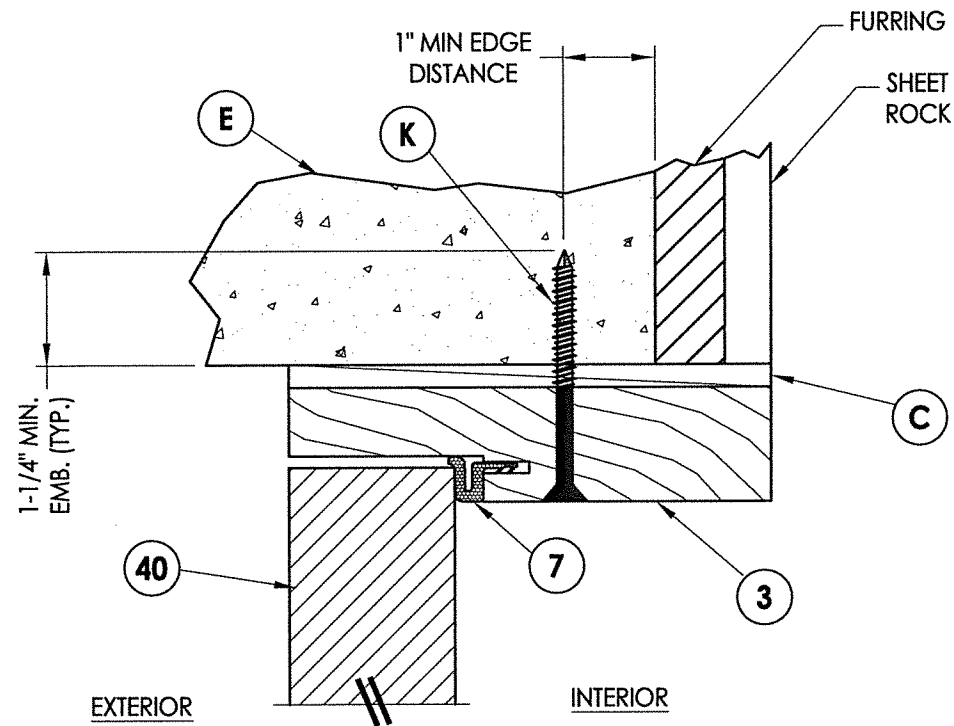


F. Schmidt
 March 28, 2021

Documents Prepared By:
 Lyndon F. Schmidt
 P.E. No. 43409

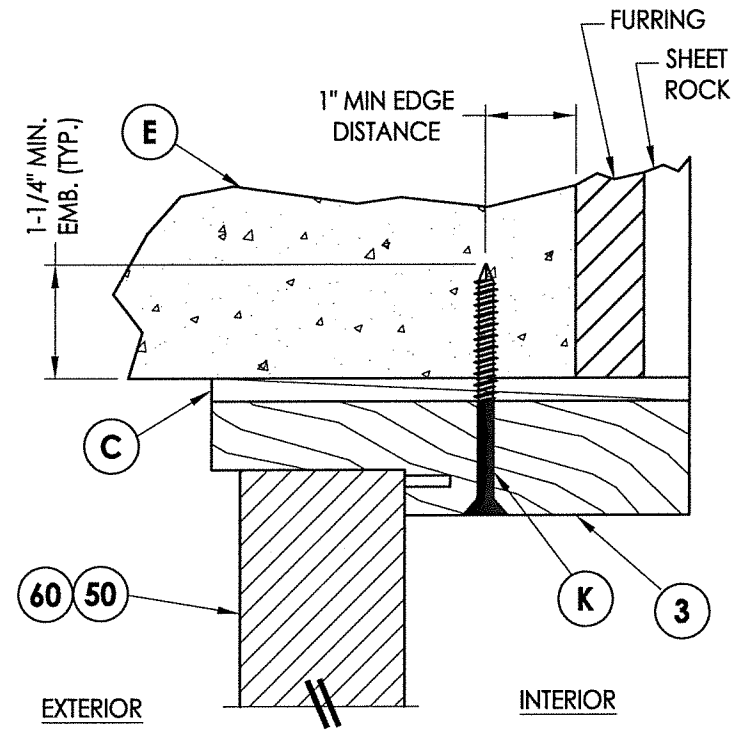
RW BUILDING CONSULTANTS, INC.
 P.O. Box 230, Vairico, FL 33595
 Phone No.: 813.659.9197
 FBPE Registry No. 9813

| | |
|--|---------|
| PRODUCT: TRINITY GLASS INT'L | |
| PART OR ASSEMBLY: HORIZONTAL AND VERTICAL CROSS SECTIONS (1X BUCK) | |
| NO. | DATE |
| 1 | 8/11/20 |
| UPDATE TO 7th ED. (2020) FBC & REVISE ENDURA ULT. ASTRAGAL | |
| DAC | BY |
| | |
| REVISIONS | |
| DATE: 1/28/20 | |
| SCALE: N.T.S. | |
| DWG. BY: TRJ | |
| CHK. BY: LFS | |
| DRAWING NO.: FL-25575.6 | |
| SHEET 7 OF 14 | |

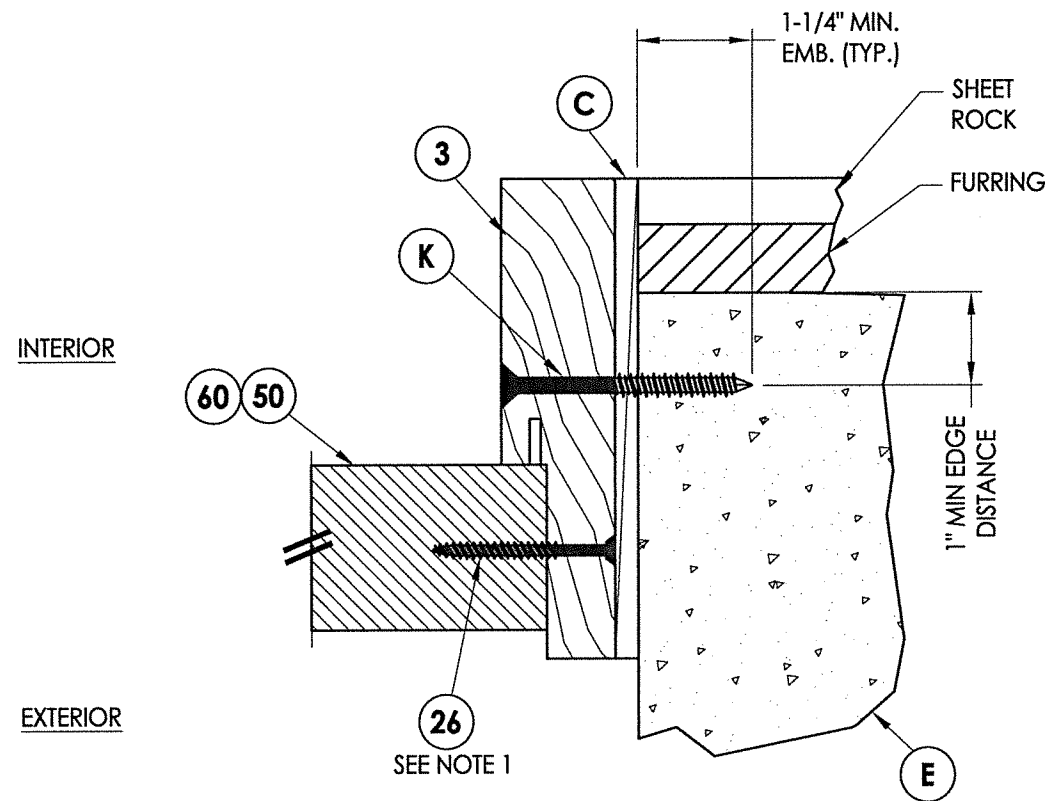


2 VERTICAL CROSS SECTION
8 Outswing only

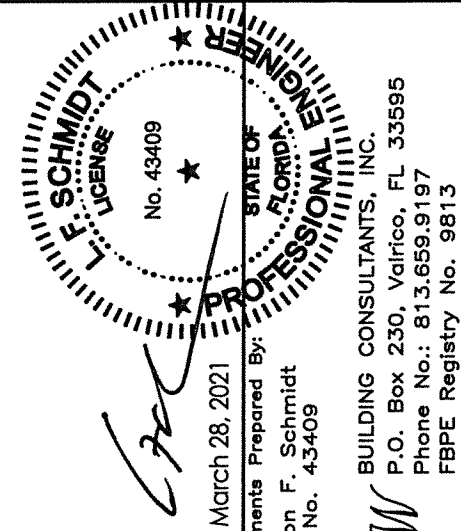
NOTE:
1. Item #26 located 6" from each end plus 2 more equally spaced (4 total).



3 VERTICAL CROSS SECTION
8 Outswing only

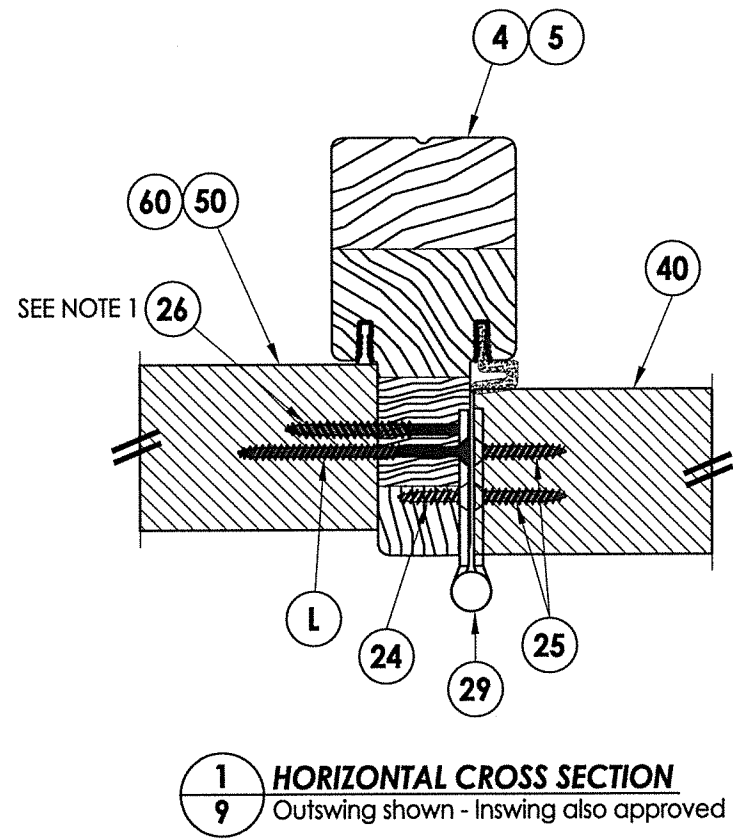


1 HORIZONTAL CROSS SECTION
8 Outswing only



March 28, 2021
 Documents Prepared By:
 Lyndon F. Schmidt
 P.E. No. 43409
 R.W. BUILDING CONSULTANTS, INC.
 P.O. Box 230, Valrico, FL 33595
 Phone No.: 813.659.9197
 FBPE Registry No. 9813

| | | |
|--|--|-------|
| PRODUCT: | TRINITY GLASS INT'L | |
| PART OR ASSEMBLY: | HORIZONTAL AND VERTICAL CROSS SECTIONS (DIRECT TO MASONRY) | |
| NO. | DATE | BY |
| 1 | 8/11/20 | DAC |
| UPDATE TO 7th ED. (2020) FBC & REVISE ENDURA ULT. ASTRAGAL | | |
| REVISIONS | | |
| DATE: | 1/28/20 | |
| SCALE: | N.T.S. | |
| DWG. BY: | TRJ | |
| CHK. BY: | LFS | |
| DRAWING NO.: | FL-25575.6 | |
| SHEET | 8 | OF 14 |

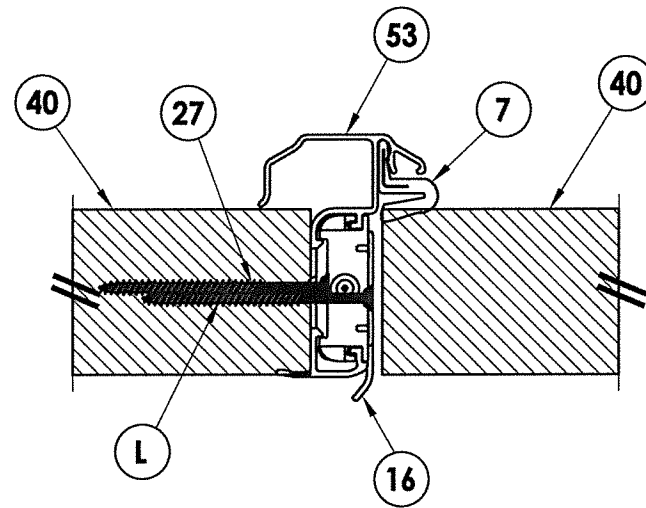


1 HORIZONTAL CROSS SECTION
 9 Outswing shown - Inswing also approved

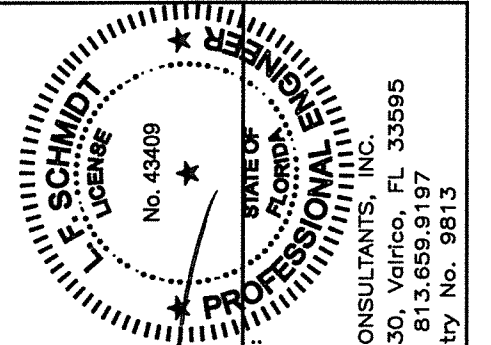
NOTE:
 1. Item #26 located 6" from each end plus 2 more equally spaced (4 total).

INTERIOR

EXTERIOR

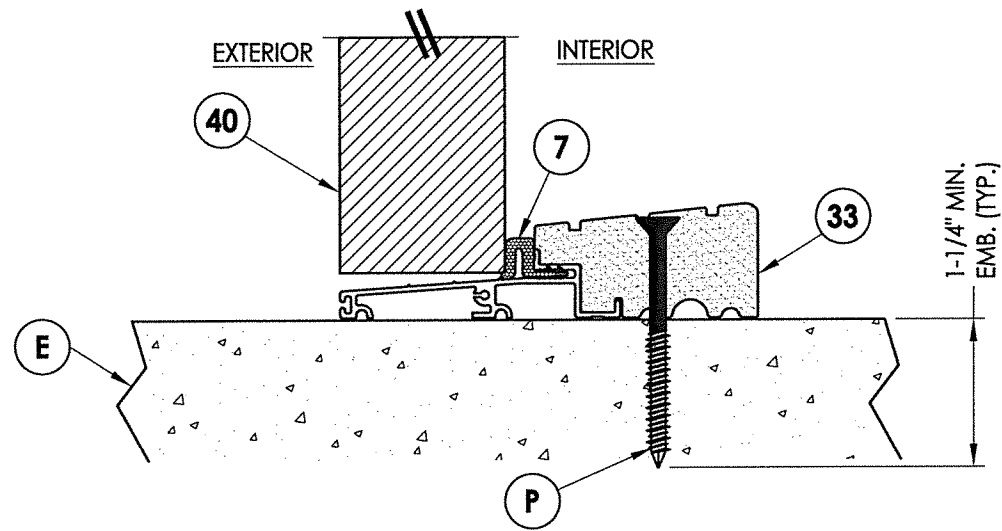


2 HORIZONTAL CROSS SECTION
 9 Outswing shown - Inswing also approved

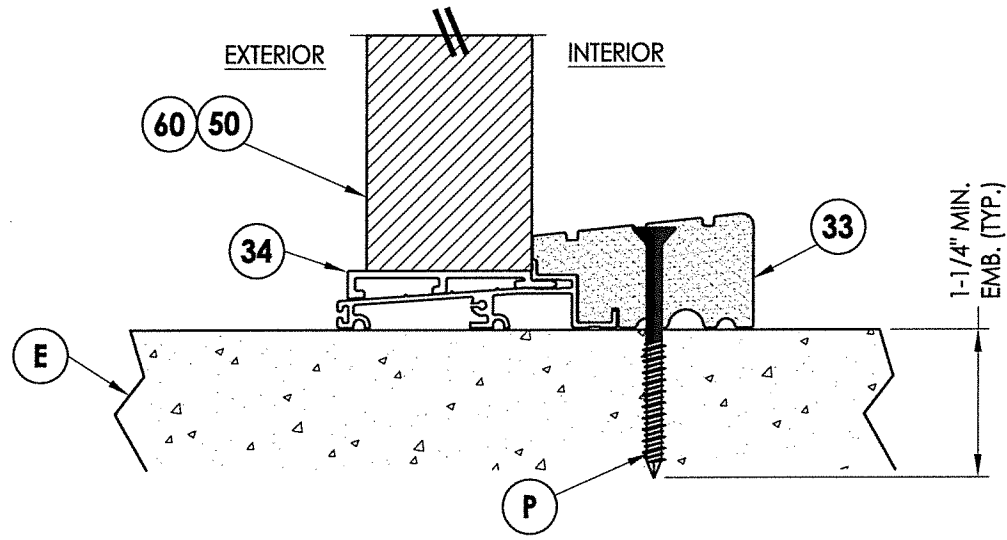


March 28, 2021
 Documents Prepared By:
 Lyndon F. Schmidt
 P.E. No. 43409
 R.W. BUILDING CONSULTANTS, INC.
 P.O. Box 230, Vairico, FL 33595
 Phone No.: 813.659.9197
 FBPE Registry No. 9813

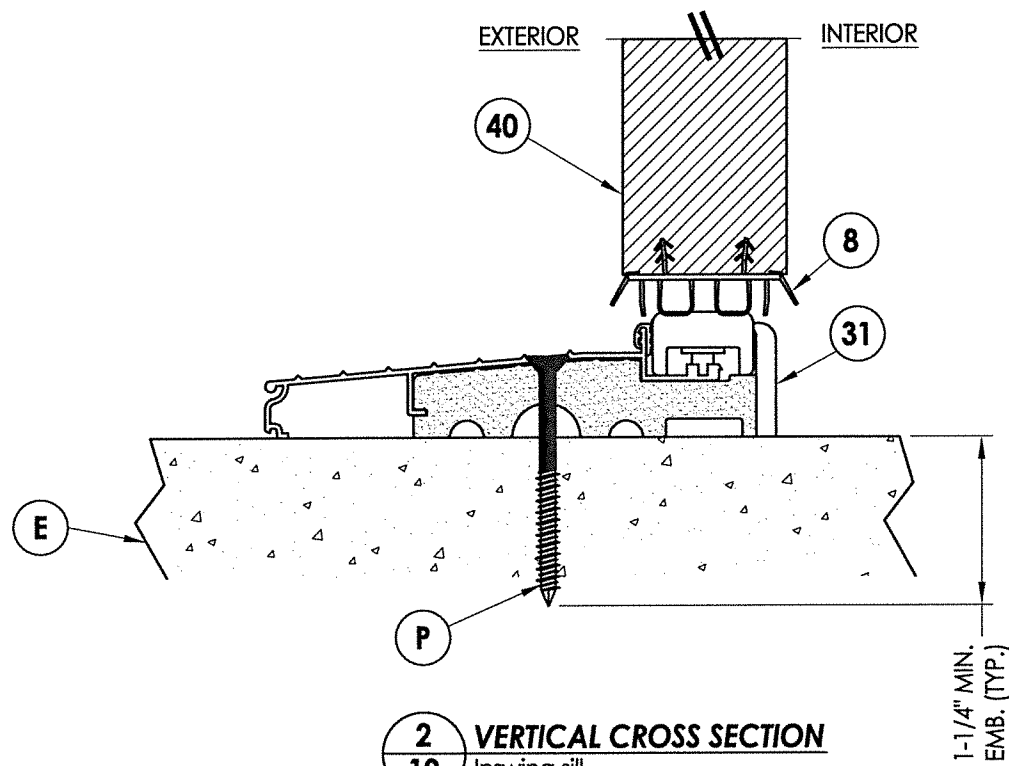
| | | | |
|------------------------------|---------|---|--|
| PRODUCT: TRINITY GLASS INT'L | | PART OR ASSEMBLY: HORIZONTAL CROSS SECTIONS | |
| NO. | DATE | BY | REVISIONS |
| 1 | 8/11/20 | DAC | UPDATE TO 7th ED. (2020) FBC & REVISE ENDURA ULT. ASTRAGAL |
| DATE: 1/28/20 | | SCALE: N.T.S. | |
| DWG. BY: TRJ | | CHK. BY: LFS | |
| DRAWING NO.: FL-25575.6 | | SHEET 9 OF 14 | |



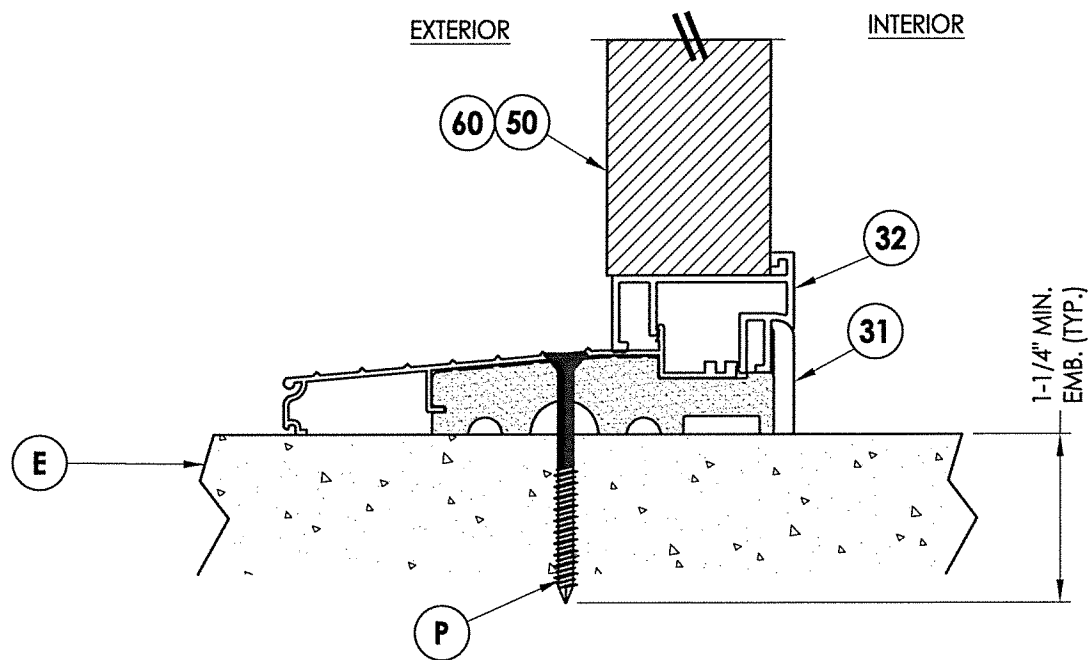
1 VERTICAL CROSS SECTION
10 Outswing sill - high dam



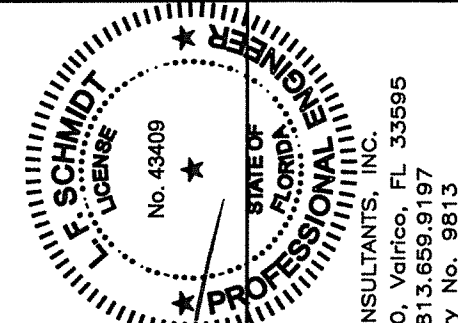
3 VERTICAL CROSS SECTION
10 Outswing sill - high dam



2 VERTICAL CROSS SECTION
10 Inswing sill

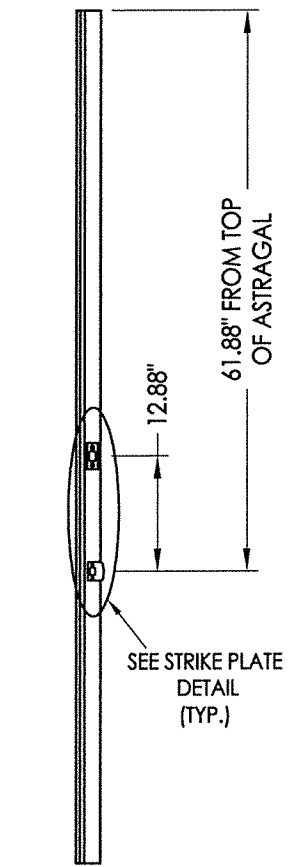
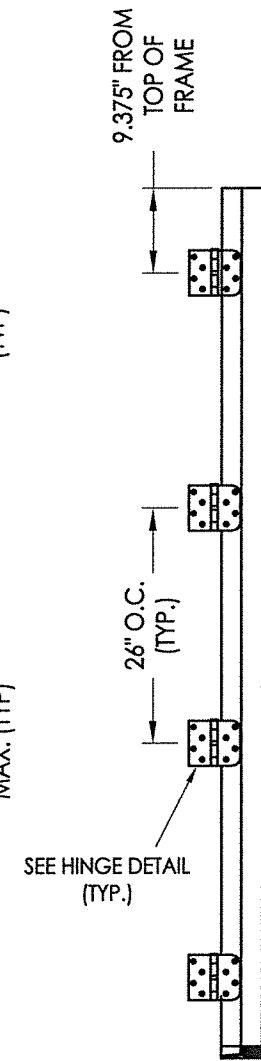
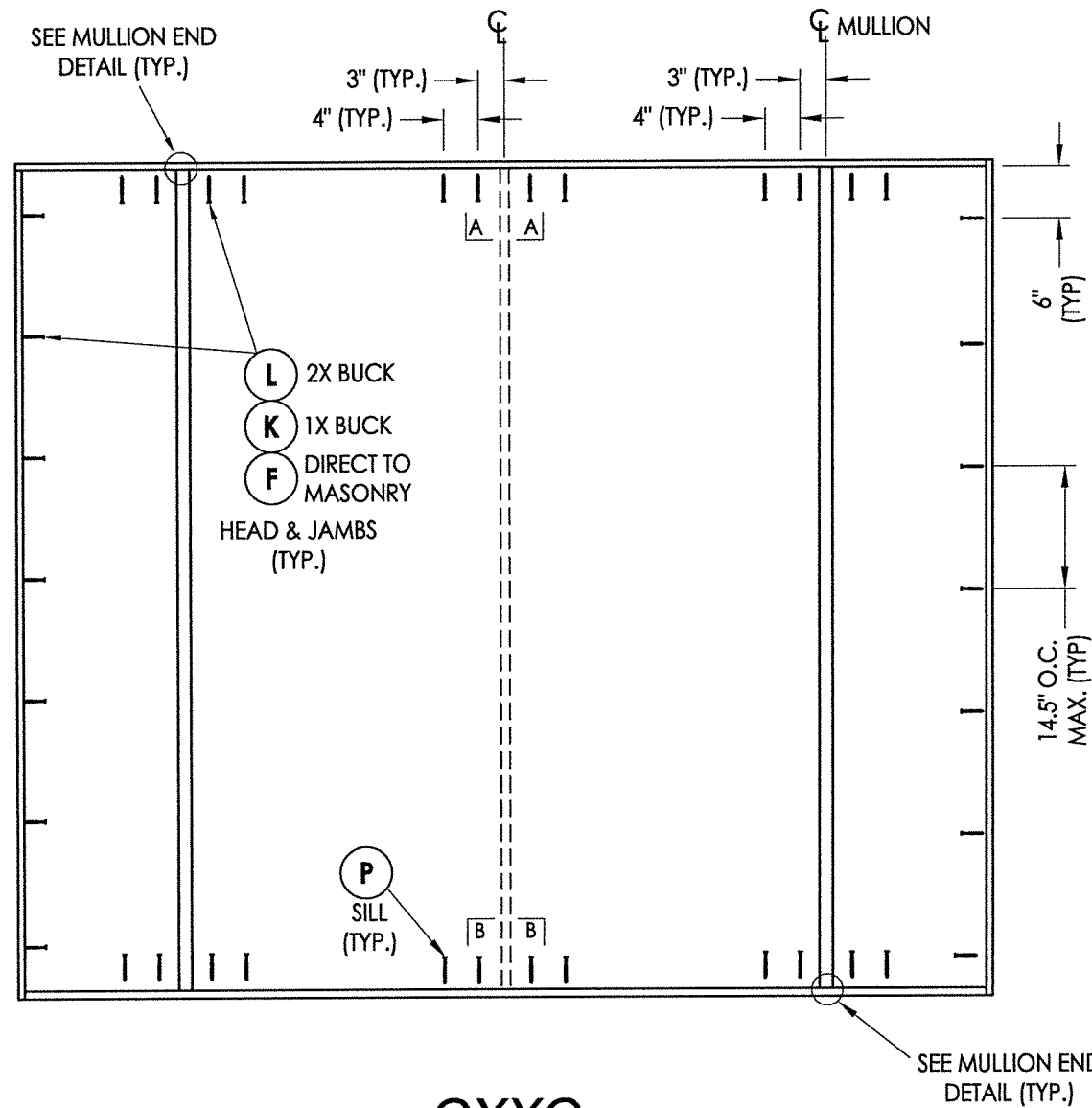


4 VERTICAL CROSS SECTION
10 Inswing sill



March 28, 2021
 Documents Prepared By:
 Lyndon F. Schmidt
 P.E. No. 43409
 R.W. BUILDING CONSULTANTS, INC.
 P.O. Box 230, Valrico, FL 33595
 Phone No.: 813.659.9197
 FBPE Registry No. 9813

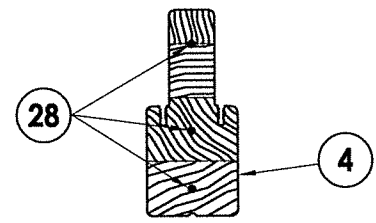
| | | | |
|-------------------------|---------|-------------------------|-------------------------------|
| PRODUCT: | | TRINITY GLASS INT'L | |
| PART OR ASSEMBLY: | | VERTICAL CROSS SECTIONS | |
| NO. | DATE | BY | REVISIONS |
| 1 | 8/11/20 | FBC | UPDATE TO 7th ED. (2020) |
| | | DAC | & REVISE ENDURA ULT. ASTRAGAL |
| DATE: 1/28/20 | | | |
| SCALE: N.T.S. | | | |
| DWG. BY: TRJ | | | |
| CHK. BY: LFS | | | |
| DRAWING NO.: FL-25575.6 | | | |
| SHEET 10 OF 14 | | | |



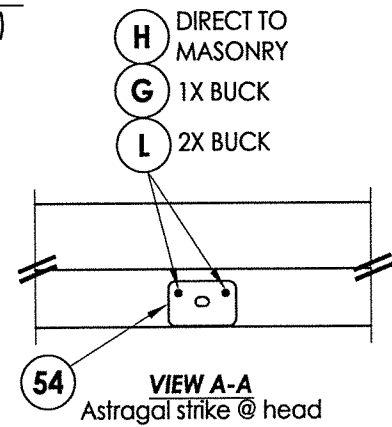
HINGE JAMB

ASTRAGAL

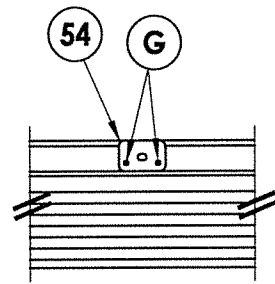
**OXO
FRAME ANCHORING**



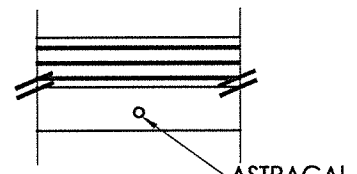
MULLION END DETAIL
(TYP. @ HEAD & SILL)



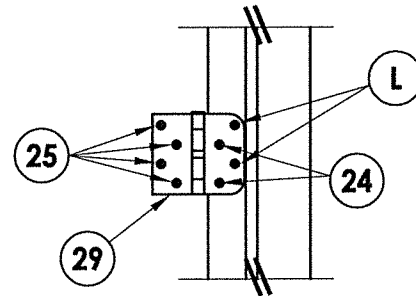
VIEW A-A
Astragal strike @ head



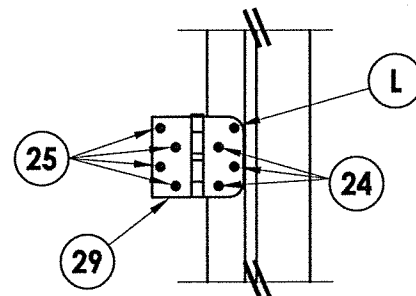
VIEW B-B
Astragal strike @ sill
Inswing



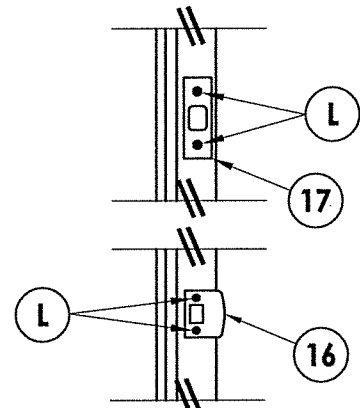
VIEW B-B
ASTRAGAL BOLT HOLE
Astragal strike @ sill
Outswing



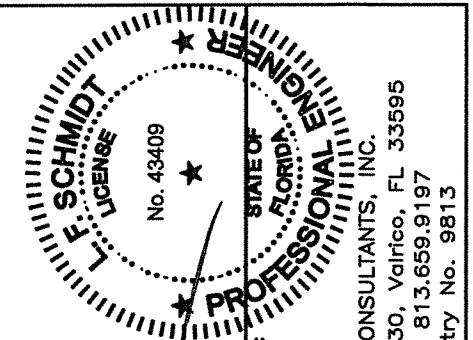
HINGE DETAIL
INSWING



HINGE DETAIL
OUTSWING

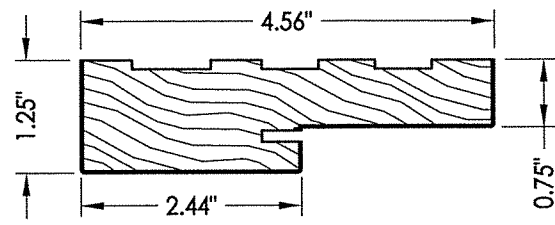


STRIKE PLATE DETAIL

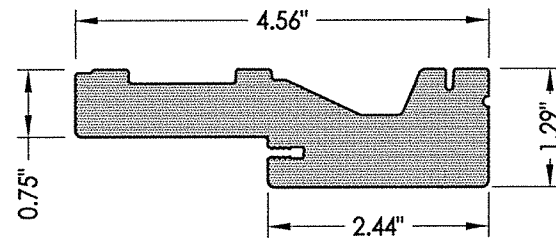


March 28, 2021
 Documents Prepared By:
 Lyndon F. Schmidt
 P.E. No. 43409
 R.W. BUILDING CONSULTANTS, INC.
 P.O. Box 230, Valrico, FL 33595
 Phone No.: 813.659.9197
 FBPE Registry No. 9813

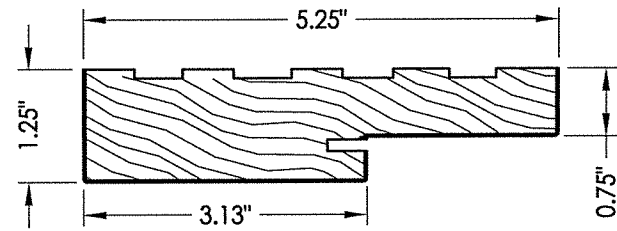
| | | | |
|-------------------|---------|---------------------|--|
| PRODUCT: | | TRINITY GLASS INT'L | |
| PART OR ASSEMBLY: | | FRAME ANCHORING | |
| NO. | DATE | BY | REVISIONS |
| 1 | 8/11/20 | DAC | UPDATE TO 7th ED. (2020) FBC & REVISE ENDURA ULT. ASTRAGAL |
| DATE: | | 1/28/20 | |
| SCALE: | | N.T.S. | |
| DWG. BY: | | TRJ | |
| CHK. BY: | | LFS | |
| DRAWING NO.: | | FL-25575.6 | |
| SHEET | | 12 OF 14 | |



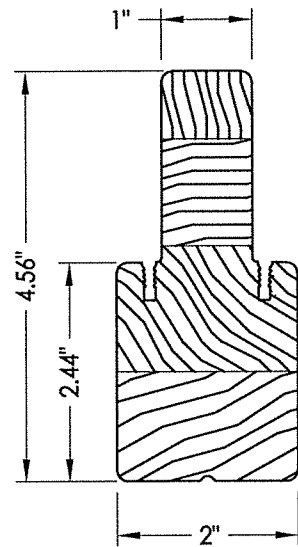
1 FINGER JOINT PINE JAMB



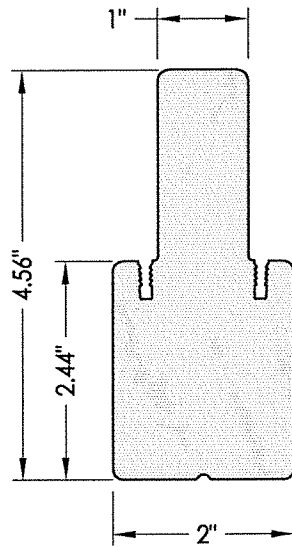
2 HEAD AND JAMBS PVC



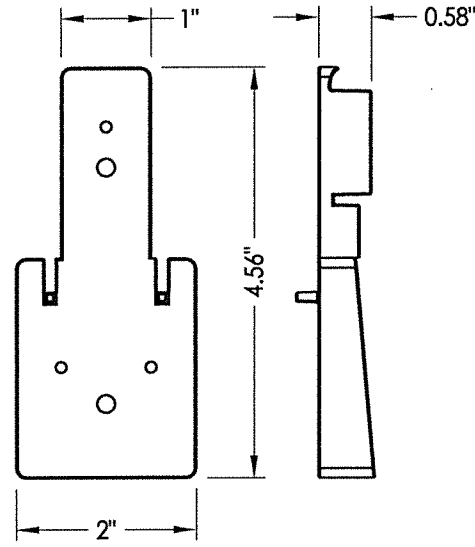
3 FINGER JOINT PINE JAMB



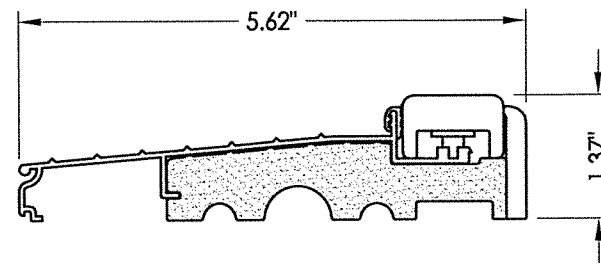
4 INTEGRAL MULLION PINE



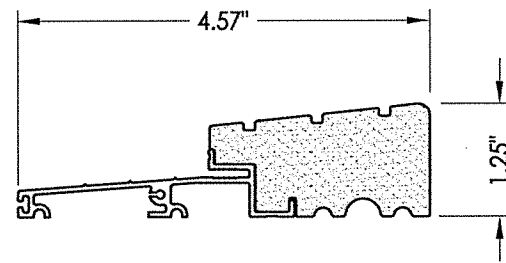
5 INTEGRAL MULLION PVC



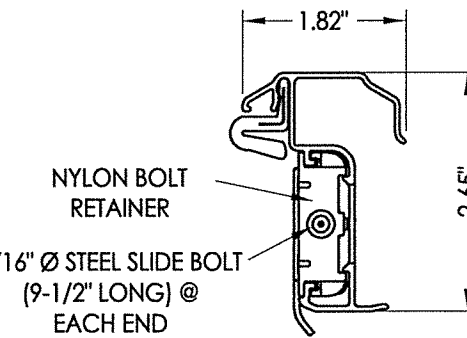
6 INTEGRAL MULLION BASE KIT Optional



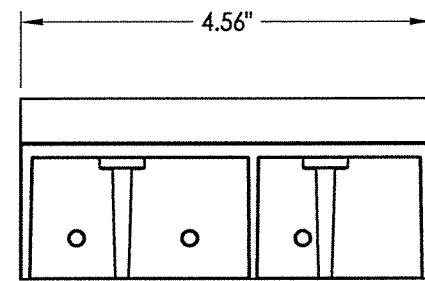
31 INSWING THRESHOLD



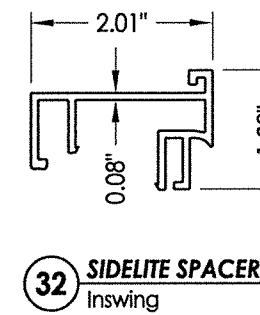
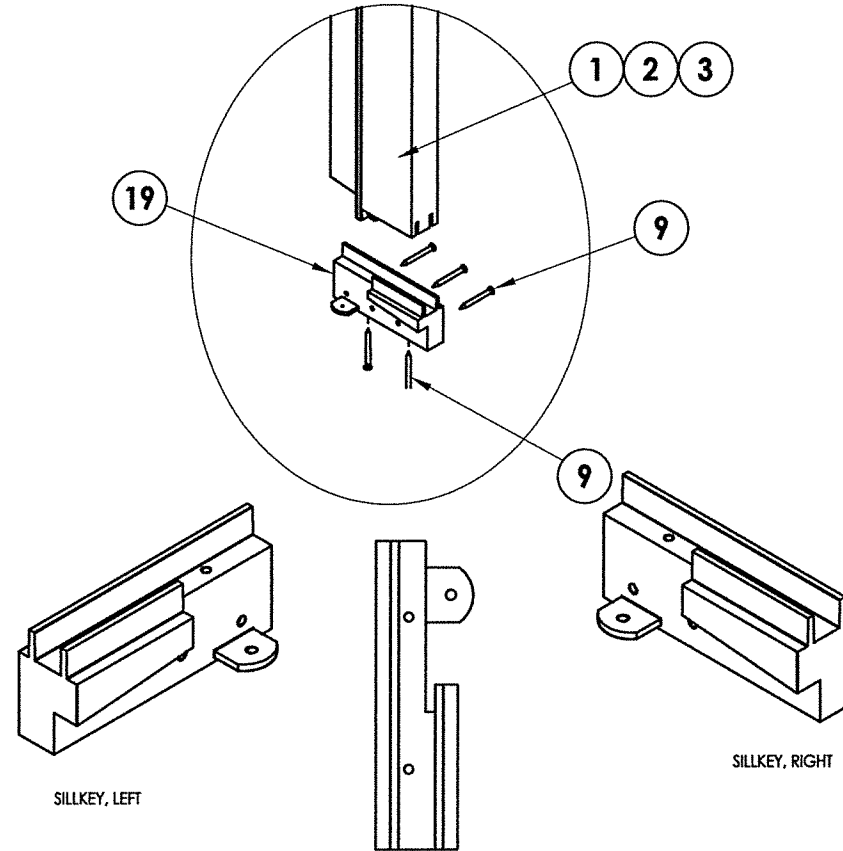
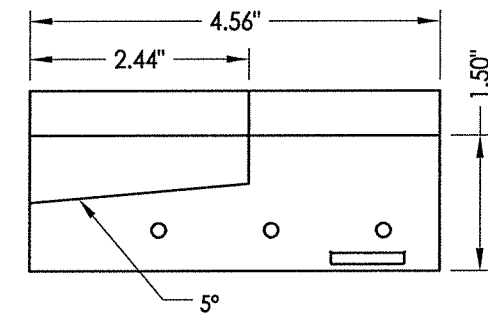
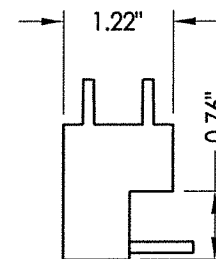
33 INSWING THRESHOLD High-dam



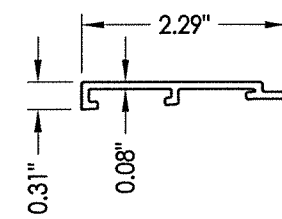
53 ULTIMATE HURRICANE ASTRAGAL
By Endura Products



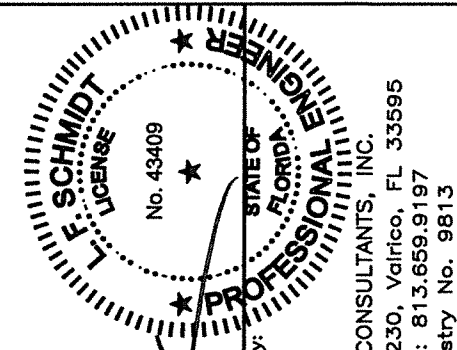
19 SILLKEY DETAILS
Optional



32 SIDELITE SPACER
Inswing



34 SIDELITE SPACER
Outswing



March 28, 2021
 Documents Prepared By:
 Lyndon F. Schmidt
 P.E. No. 43409
 RW BUILDING CONSULTANTS, INC.
 P.O. Box 230, Valrico, FL 33595
 Phone No.: 813.659.9197
 FBPE Registry No. 9813

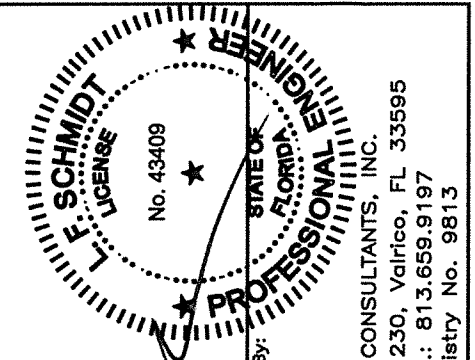
| | |
|-------------------|---------------------|
| PRODUCT: | TRINITY GLASS INT'L |
| PART OR ASSEMBLY: | COMPONENTS |

| NO. | DATE | REVISIONS |
|-----|---------|--|
| 1 | 8/11/20 | UPDATE TO 7th ED. (2020) FBC & REVISE ENDURA ULT. ASTRAGAL |

| | |
|--------------|------------|
| DATE: | 1/28/20 |
| SCALE: | N.T.S. |
| DWG. BY: | TRJ |
| CHK. BY: | LFS |
| DRAWING NO.: | FL-25575.6 |
| SHEET | 13 OF 14 |

BILL OF MATERIALS

| ITEM # | DESCRIPTION | MATERIAL |
|--------|--|--------------|
| A | 1X BUCK (SG >= 0.42) | WOOD |
| B | 2X BUCK (SG >= 0.42) | WOOD |
| C | 1/4" MAX. SHIM SPACE | - |
| D | 1/4" X 2-3/4" PFH DeWALT OR ITW CONCRETE SCREW | STEEL |
| E | MASONRY - 3,000 PSI MIN. CONCRETE CONFORMING TO ACI 301 OR HOLLOW BLOCK CONFORMING TO ASTM C90 | CONCRETE |
| F | 1/4" X 3-3/4" PFH ITW CONCRETE SCREW | STEEL |
| G | 3/16" X 3-1/4" PFH ITW CONCRETE SCREW | STEEL |
| H | 3/16" X 2-1/4" PFH ITW CONCRETE SCREW | STEEL |
| K | 1/4" X 2-3/4" PFH DeWALT CONCRETE SCREW | STEEL |
| L | #10 X 2-1/2" PFH WS (1.15" MIN. EMBEDMENT) | STEEL |
| P | 1/4" X 2-3/4" PFH DeWALT OR ITW CONCRETE SCREW | STEEL |
| 1 | HEAD & JAMB (FINGER-JOINT PINE - SG >= 0.42) | WOOD |
| 2 | HEAD & JAMB | PVC |
| 3 | HEAD & JAMB (5.25") (FINGER-JOINT PINE - SG >= 0.42) | WOOD |
| 4 | INTEGRAL MULLION (PINE - SG >= 0.42) | WOOD |
| 5 | INTEGRAL MULLION (PVC) | PVC |
| 6 | INTEGRAL MULLION BASE KIT | PC/ASA |
| 7 | WEATHERSTRIP | FOAM |
| 8 | DOOR BOTTOM SWEEP | PVC |
| 9 | #6 X 1-1/4 PFH DRYWALL SCREW | STEEL |
| 11 | #9 X 2-1/4" PFH WOOD SCREW | STEEL |
| 16 | LATCH STRIKE PLATE | STEEL |
| 17 | DEADBOLT STRIKE PLATE | STEEL |
| 19 | SILLKEY | PC/ASA |
| 24 | #9 X 3/4" PFH WS | STEEL |
| 25 | #9 X 1" PFH WS | STEEL |
| 26 | #8 X 2" PFH WS | STEEL |
| 27 | #8 X 2-1/2" PFH WOOD SCREW | STEEL |
| 28 | #10 X 3" PFH WOOD SCREW | STEEL |
| 29 | 4" X 4" HINGE | STEEL |
| 31 | INSWING THRESHOLD ALUMINUM w/ COMPOSITE SUBSTRATE | ALUM./ COMP. |
| 32 | SIDELITE SPACER - INSWING | PVC |
| 33 | OUTSWING HIGH-DAM THRESHOLD ALUMINUM w/ COMPOSITE SUBSTRATE | ALUM./ COMP. |
| 34 | SIDELITE SPACER - OUTSWING | PVC |
| 40 | DOOR PANEL - (LIGHTHOUSE) | - |
| 50 | SIDELITE - LIP LITE GLAZED | - |
| 60 | SIDELITE - FLUSH GLAZING | - |
| 53 | ALUMINUM ASTRAGAL | ALUM |
| 54 | ASTRAGAL STRIKE PLATE | STEEL |



March 28, 2021
 Documents Prepared By:
 Lyndon F. Schmidt
 P.E. No. 43409
 R.W. BUILDING CONSULTANTS, INC.
 P.O. Box 230, Valrico, FL 33595
 Phone No.: 813.659.9197
 FBPE Registry No. 9813

PRODUCT: TRINITY GLASS INT'L
 PART OR ASSEMBLY: BILL OF MATERIALS

| NO. | DATE | REVISIONS |
|-----|---------|--|
| 1 | 8/11/20 | UPDATE TO 7th ED. (2020) FBC & REVISE ENDURA ULT. ASTRAGAL |

DATE: 1/28/20
 SCALE: N.T.S.
 DWG. BY: TRJ
 CHK. BY: LFS
 DRAWING NO.: FL-25575.6
 SHEET 14 OF 14

CONCRETE ANCHOR NOTES:

- Concrete anchor locations at the corners may be adjusted to maintain the min. edge distance to mortar joints.
- Concrete anchor locations noted as "MAX. ON CENTER" must be adjusted to maintain the min. edge distance to mortar joints, additional concrete anchors may be required to ensure the "MAX. ON CENTER" dimension are not exceeded.
- Concrete anchor table:

| ANCHOR TYPE | ANCHOR SIZE | MIN. EMBEDMENT | MIN. CLEARANCE TO MASONRY EDGE | MIN. CLEARANCE TO ADJACENT ANCHOR |
|---------------------|-------------|----------------|--------------------------------|-----------------------------------|
| ITW BUILDEX TAPCON® | 3/16" | 1-1/4" | AS SHOWN | 1-1/2" |
| DeWALT ULTRACON® | 1/4" | 1-1/4" | 2" | 4" |

WOOD SCREW INSTALLATION NOTES:

- Maintain a minimum 5/8" edge distance, 1" end distance, & 1" o.c. spacing of wood screws to prevent the splitting of wood.